

# Spare parts

**F60**

REV.0-0

**ENG**

<b>5.1</b>	<b>Description</b>
<b>5.2</b>	<b>Spare parts</b>
	Casing
	Covering
	Rear section
	Ventilator
	Heating Elements
	Humidifier
	Water inlet unit
	Center section
	Front section
	Front
	Door
	Lock for door

## 5.1 Description

In replacing any components always use original replacements.

To order spare parts, identify the model and mention the serial number on the EC rating plate of the oven.

Cites the paragraph, position, reference and description of the part to be replaced as shown in this instruction book.

For electrical components, refer also to the descriptions contained in the "electrical information" section of this manual.

Inform the authorized retailer or our service office of the description and quantity desired.

Upon receipt of your communication we will supply you with all the information relative to your request and ask your authorization to ship.

In case of parts not contemplated in the spare parts section, contact our service office.

Model

Serial number

Year of manufacture

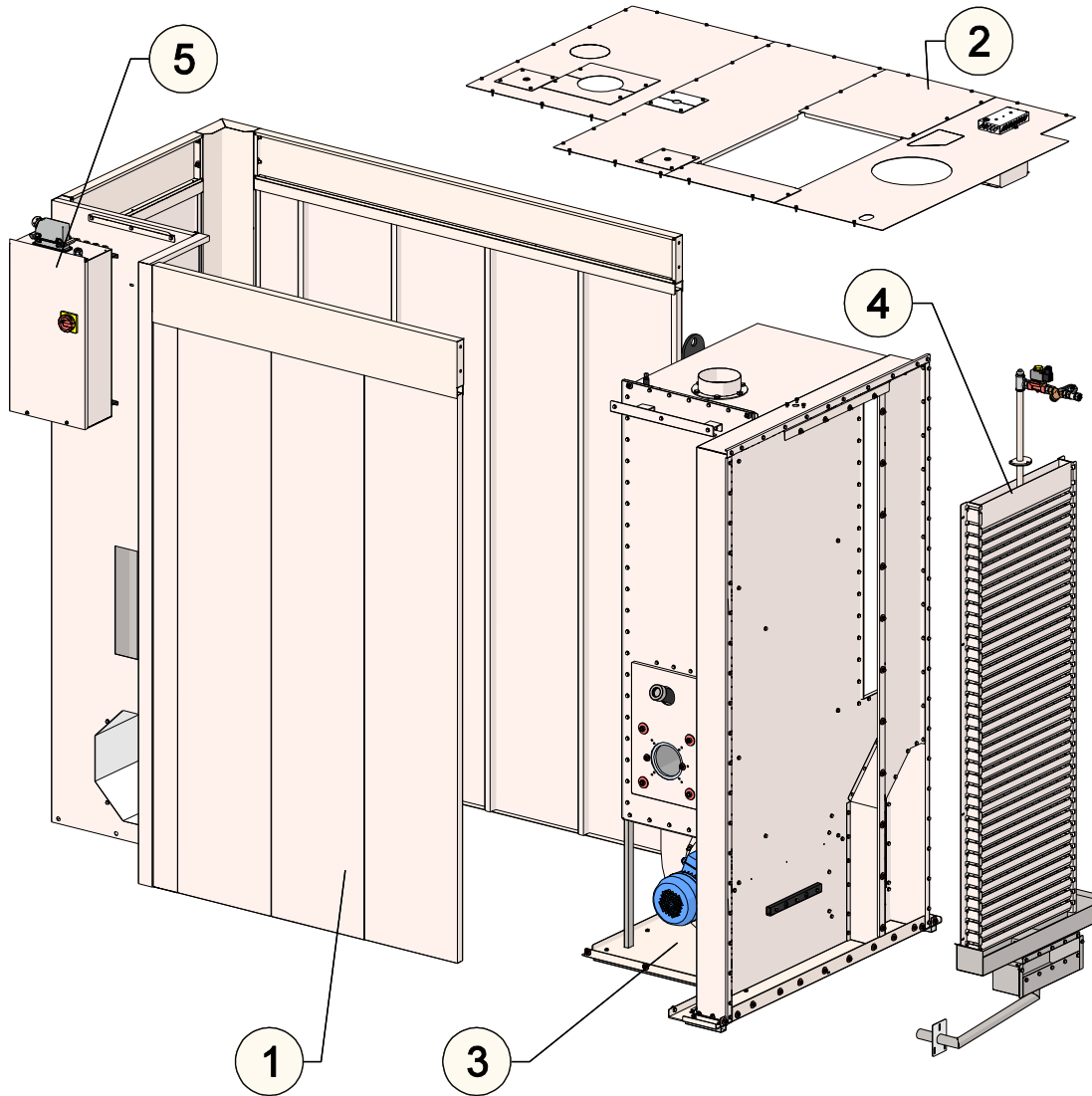
Part code number

Denomination

Quantity

5.2 Spare parts

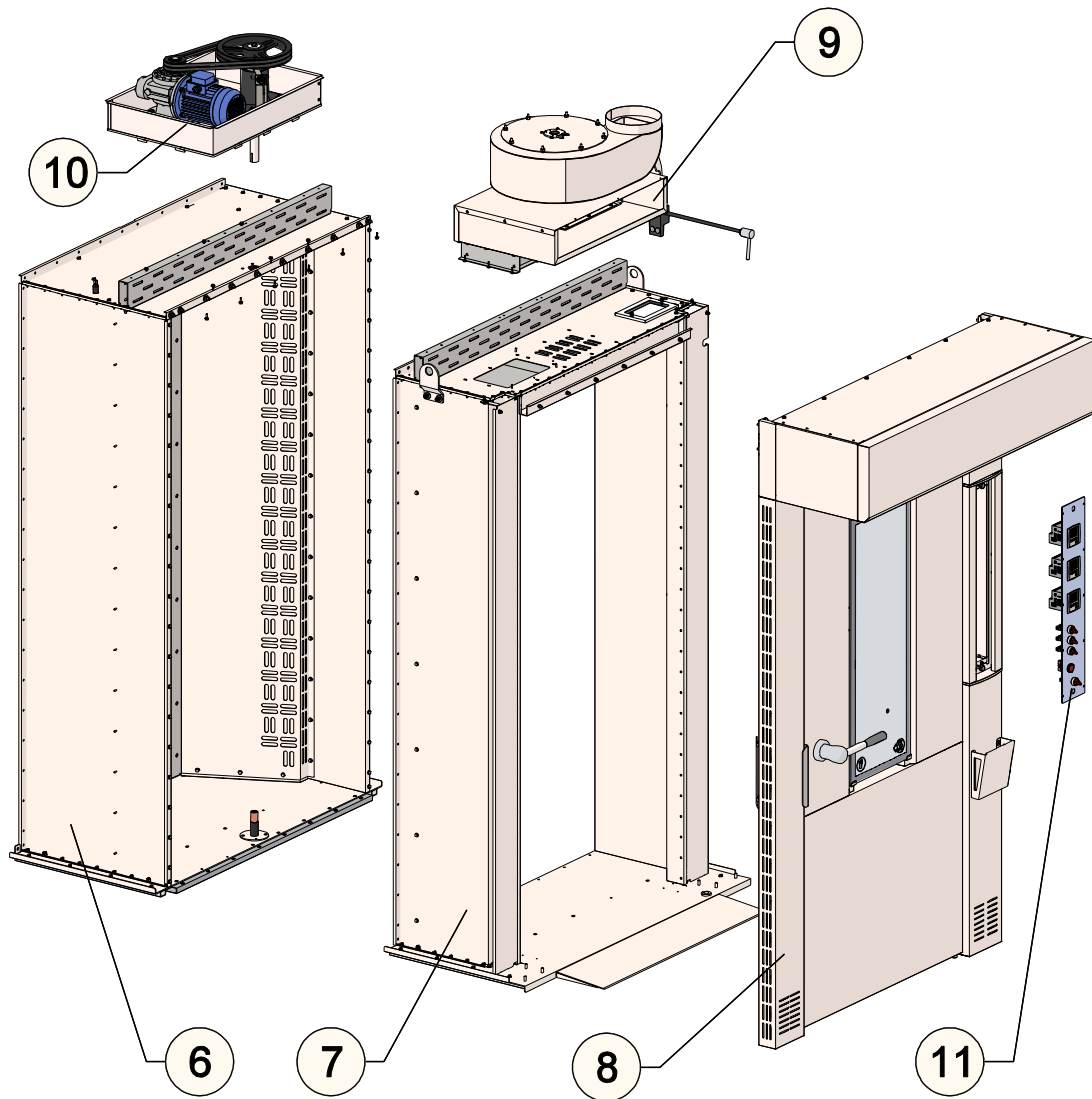
FIG.0



- 1 Casing
- 2 Covering
- 3 Rear section
- 4 Humidifier
- 5 Electric board (power section)

- pagina 6
- pagina 7
- pagina 8
- pagina 12
- see annex F



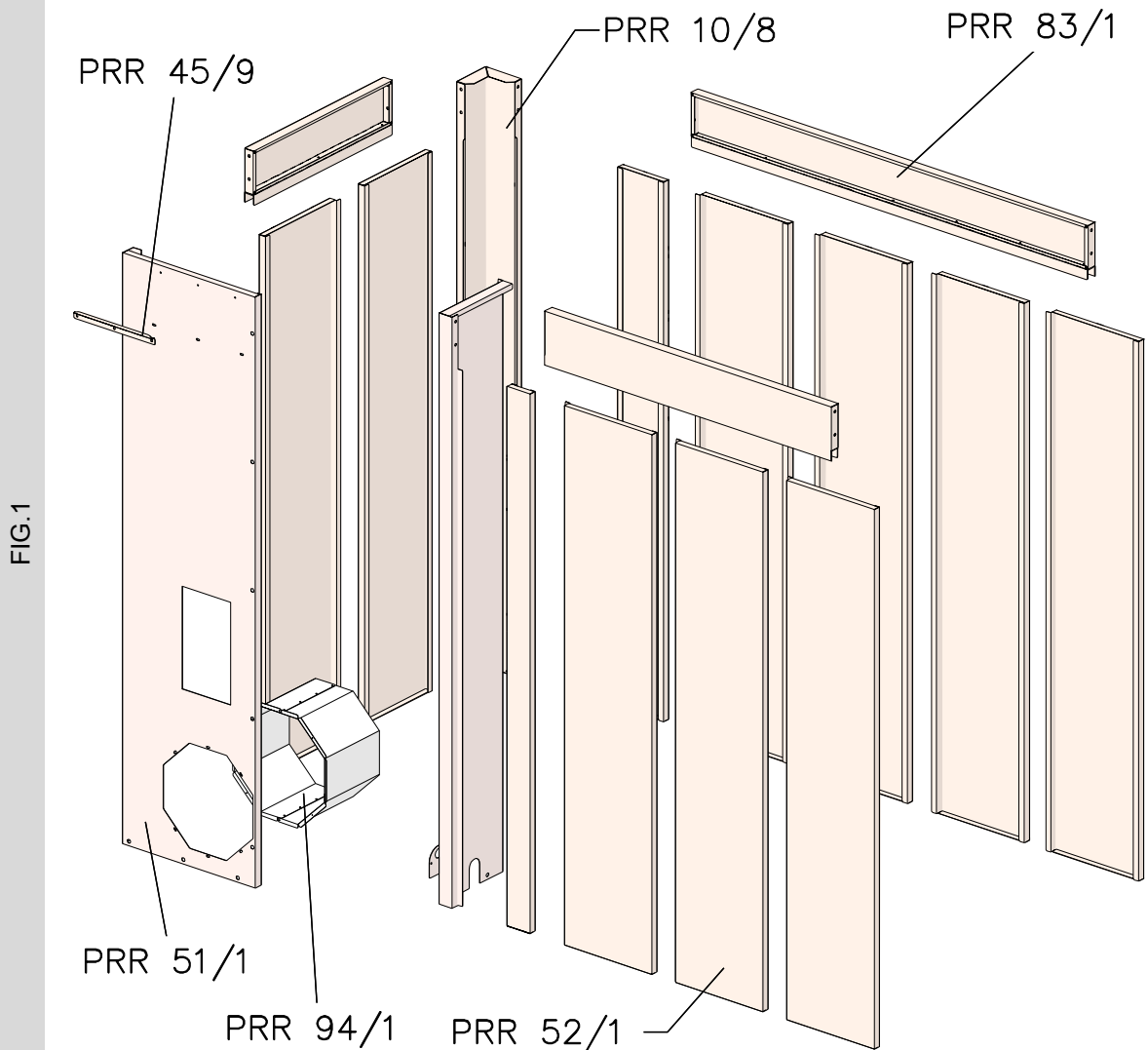


- 6** Center section
- 7** Front section
- 8** Front
- 9** Steam exhauster assembly
- 10** Rack rotation system
- 11** Electric board (control section)

- Pagina 14
- pagina 15
- Pagina 16
- see annex C
- see annex D
- see annex F



Casing

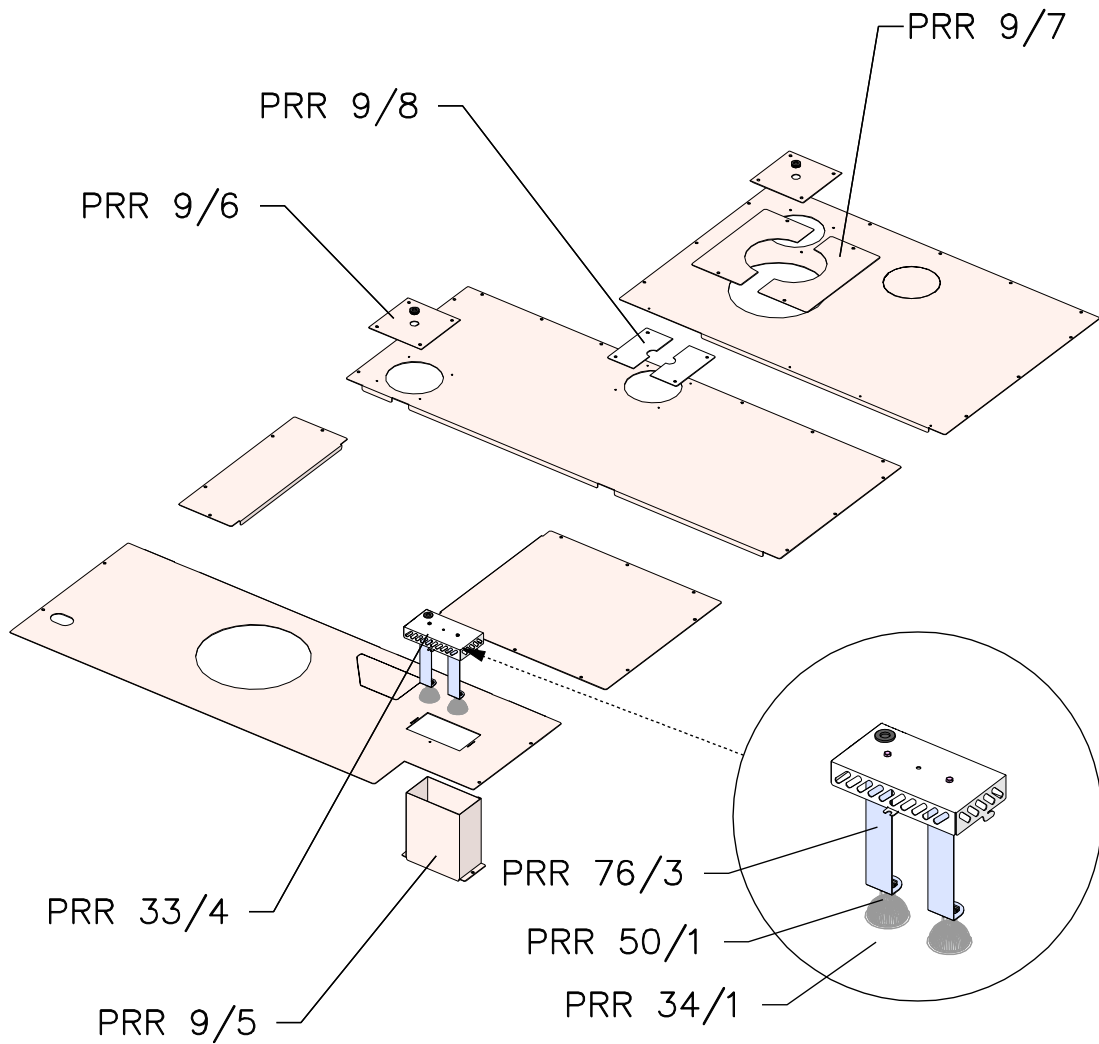


code

<b>PRR 45/9</b>	CONTROL BOX SUPPORT
<b>PRR 10/8</b>	REAR COLUMN FOR EXTERNAL PANELLING
<b>PRR 83/1</b>	EDGE FOR OUTSIDE PANELLING "UPPER"
<b>PRR 94/1</b>	INSULATING PIPE FOR VENTILATOR
<b>PRR 52/1</b>	EXTERNAL FACING PANEL
<b>PRR 51/1</b>	INSULATING CONTAINMENT - PAINTED STEEL - FOR BURNER

Covering

FIG.2

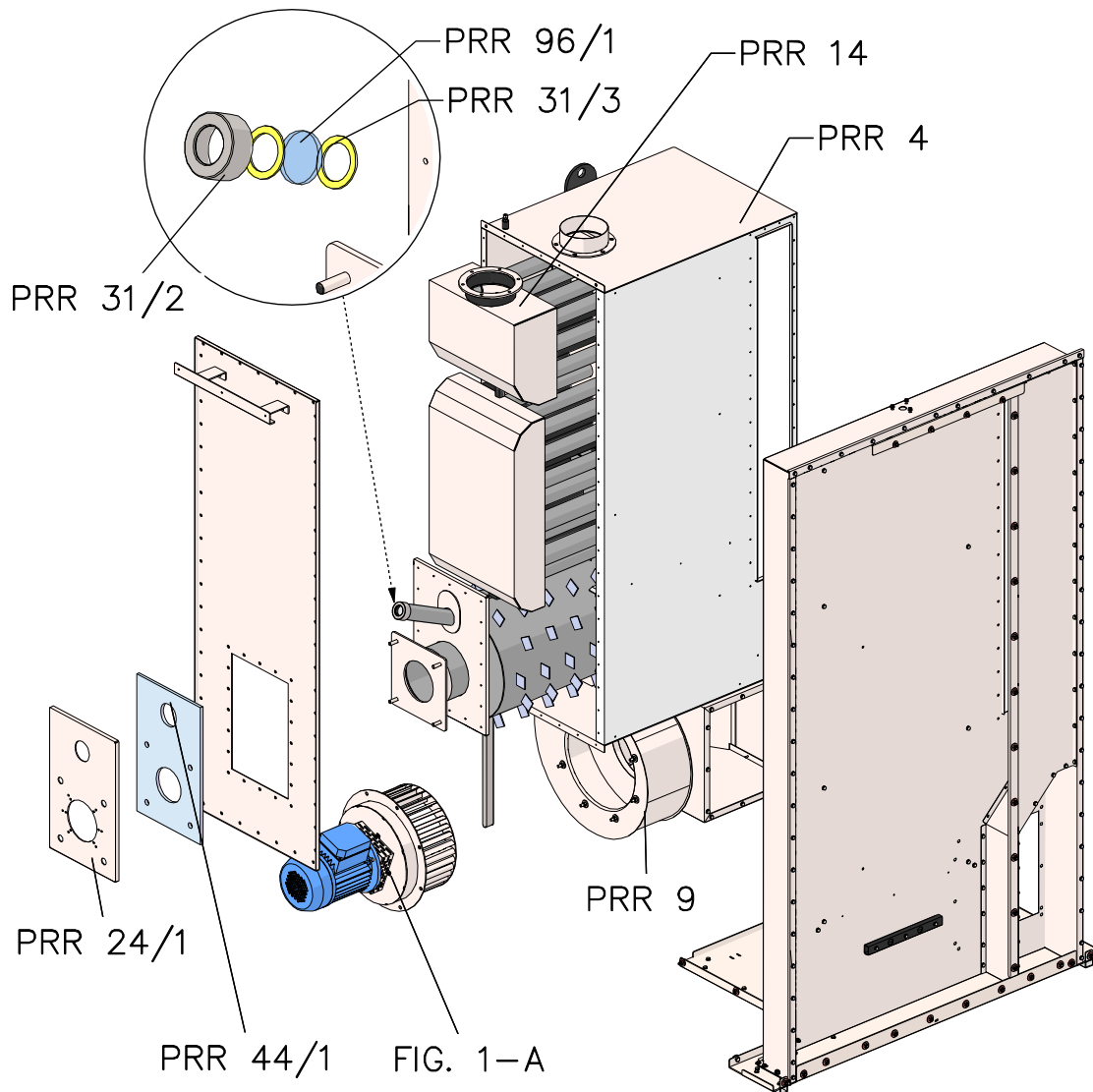


code

<b>PRR 9/6</b>	COVER FOR FEELER HOLE
<b>PRR 9/7</b>	COVER FOR CHIMNEY PIPE HOLE
<b>PRR 9/8</b>	COVER FOR WATER INLET PIPE HOLE
<b>PRR 9/5</b>	INSULATING CONTAINMENT FOR OVEN ILLUMINATION UNIT
<b>PRR 33/4</b>	COMPLETE OVEN ILLUMINATION UNIT
<b>PRR 76/3</b>	BRACKET FOR HALOGENOUS LAMP HOLDER
<b>PRR 50/1</b>	LAMP HOLDER FOR HALOGENOUS LAMP
<b>PRR 34/1</b>	OVEN ILLUMINATION HALOGENOUS LAMP

Rear section (for combustion oven)

FIG.3-G



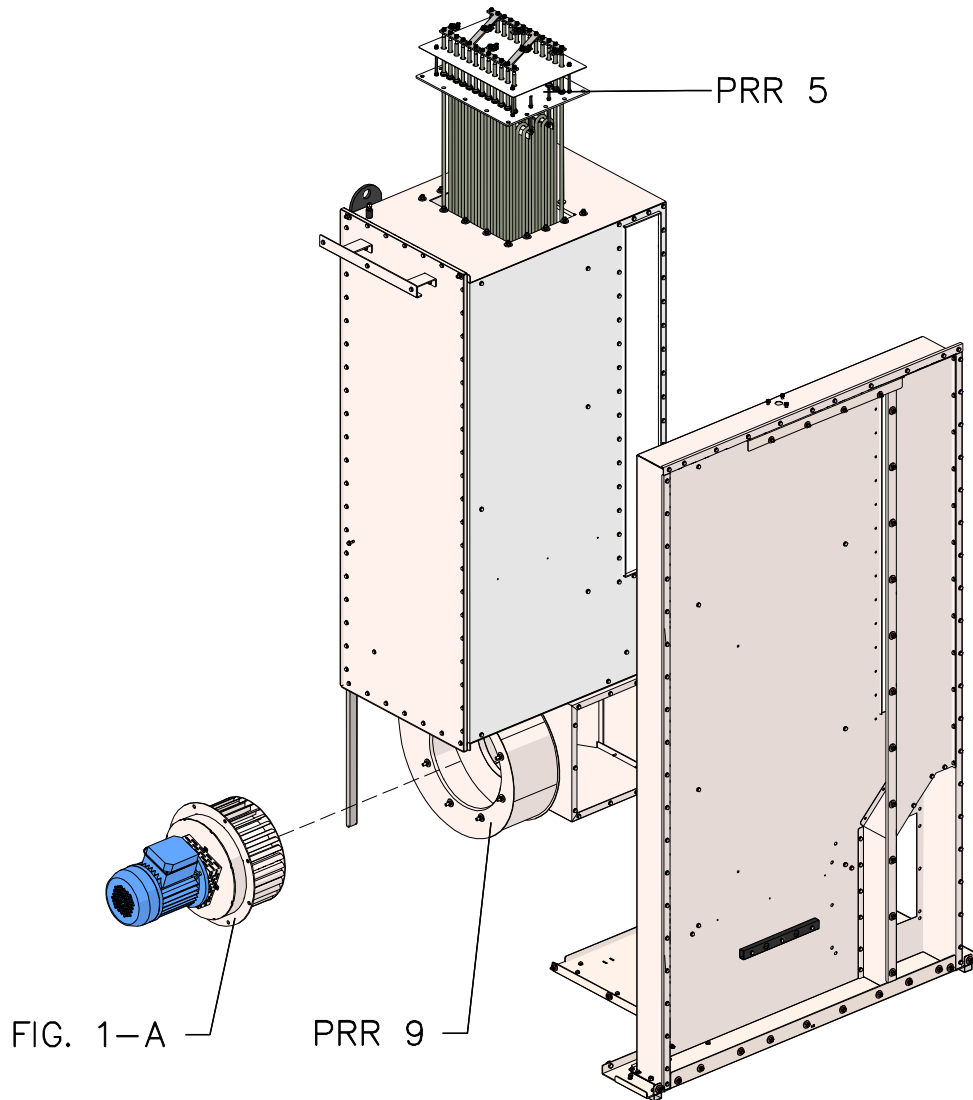
code

<b>PRR 4</b>	COMBUSTION CHAMBER BLOCK
<b>PRR 9</b>	VENTILATOR HOUSING
<b>PRR 14</b>	COMBUSTION CHAMBER
<b>PRR 24/1</b>	FLANGE FOR BURNER INSULATING CONTAINMENT
<b>PRR 44/1</b>	INSULATING BURNER PLATE TH. 10 mm
<b>PRR 31/2</b>	RING NUT FOR INSPECTION SPY HOLE COMBUSTION CHAMBER
<b>PRR 96/1</b>	SPY HOLE GLASS FOR COMBUSTION CHAMBER
<b>PRR 31/3</b>	GASKET FOR INSPECTION GLASS



Rear section (for electric oven)

FIG.3-E



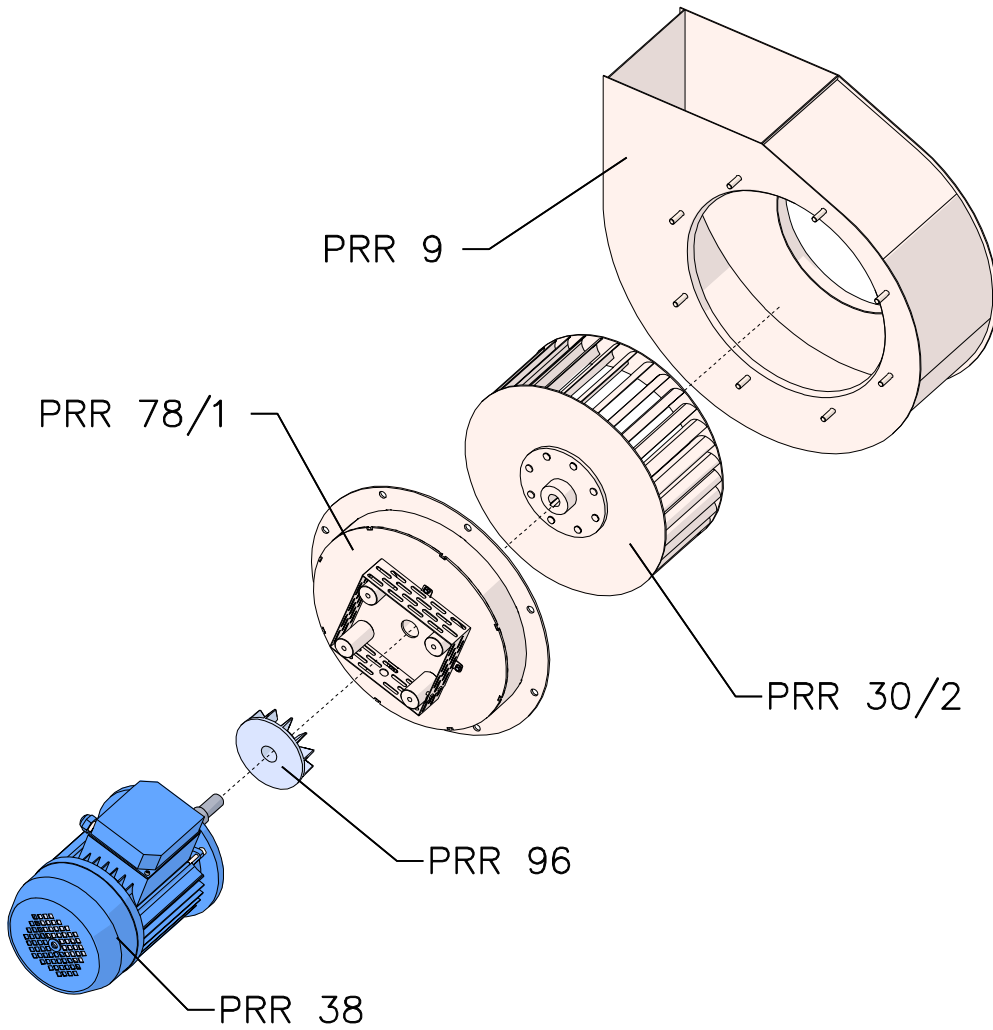
code

**PRR 5**  
**PRR 9**

HEATING ELEMENTS SET  
VENTILATOR HOUSING

Ventilator

FIG.1-A

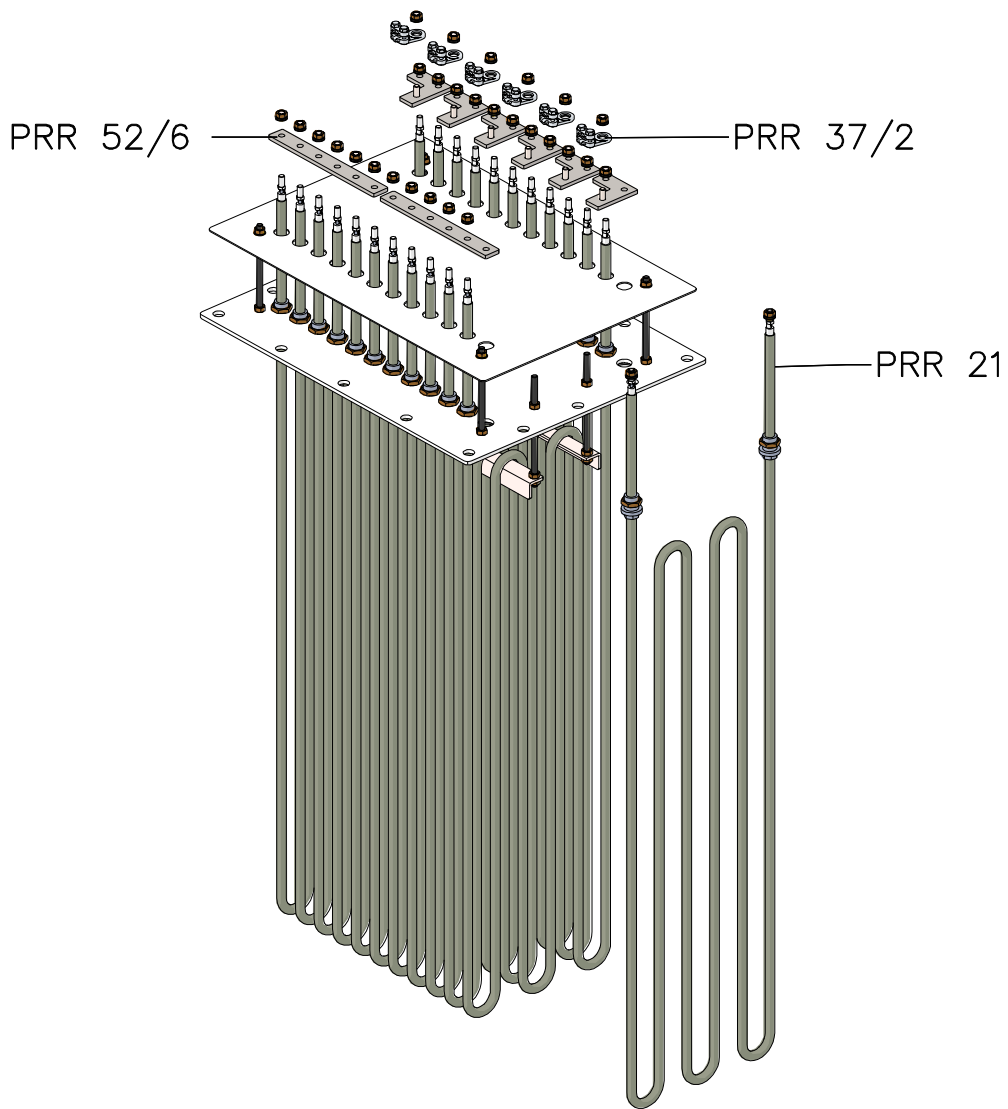


code

<b>PRR 9</b>	VENTILATOR HOUSING
<b>PRR 30/2</b>	IMPELLER FOR VENTILATOR
<b>PRR 78/1</b>	MOUNTING PLATE FOR BLOWER - ROTATIVE OVEN
<b>PRR 96</b>	COOLING FAN
<b>PRR 38</b>	VENTILATOR MOTOR FOR ROTATIVE OVENS

Heating Elements

PRR 5

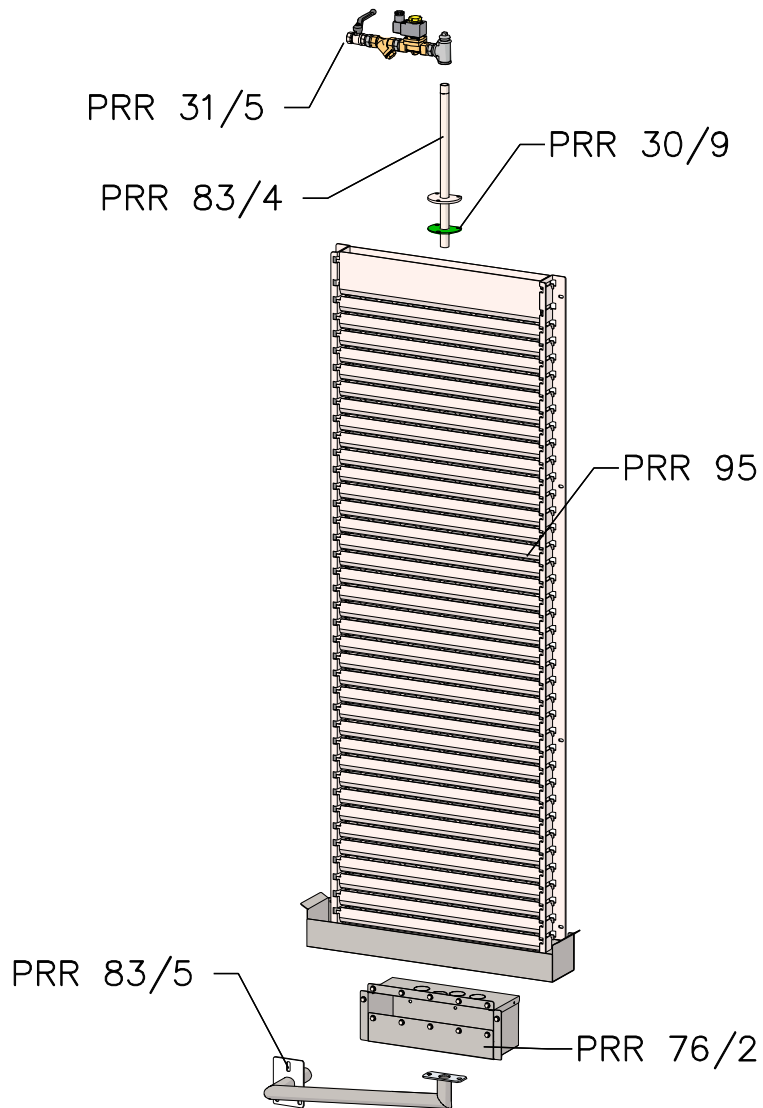


code

<b>PRR 21</b>	HEATING ELEMENT
<b>PRR 52/6</b>	BRIDGE FOR HEATING ELEMENTS
<b>PRR 37/2</b>	TERMINAL FOR HEATING ELEMENTS CONNECTION

Humidifier

FIG.4

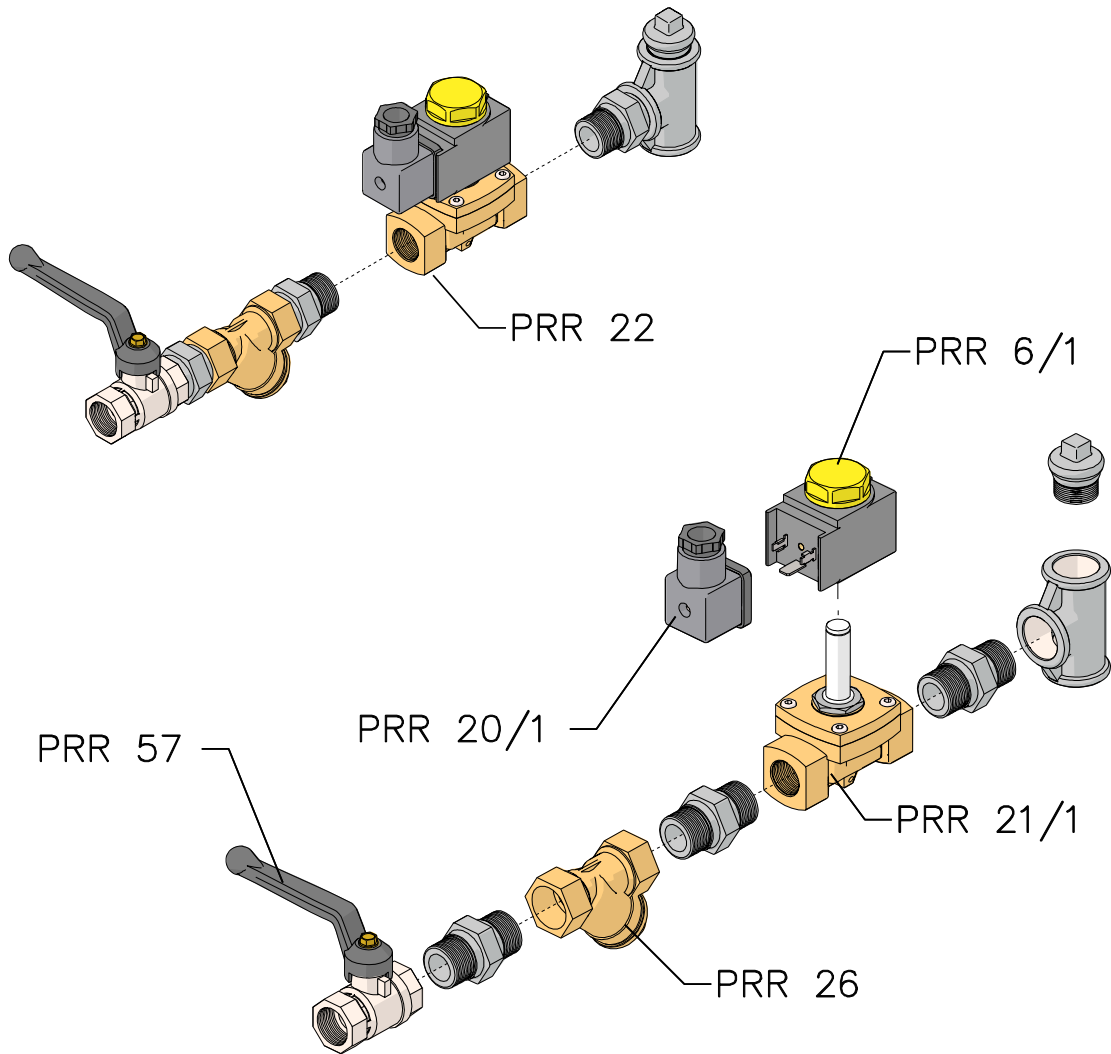


code

<b>PRR 31/5</b>	WATER INLET COMPLETE UNIT
<b>PRR 83/4</b>	WATER INLET PIPE
<b>PRR 30/9</b>	WATER INLET GASKET
<b>PRR 95</b>	STEAM GENERATOR
<b>PRR 76/2</b>	CONDENSATE DRAINAGE BOX
<b>PRR 83/5</b>	WATER DRAINAGE PIPE FOR STEAM GENERATOR

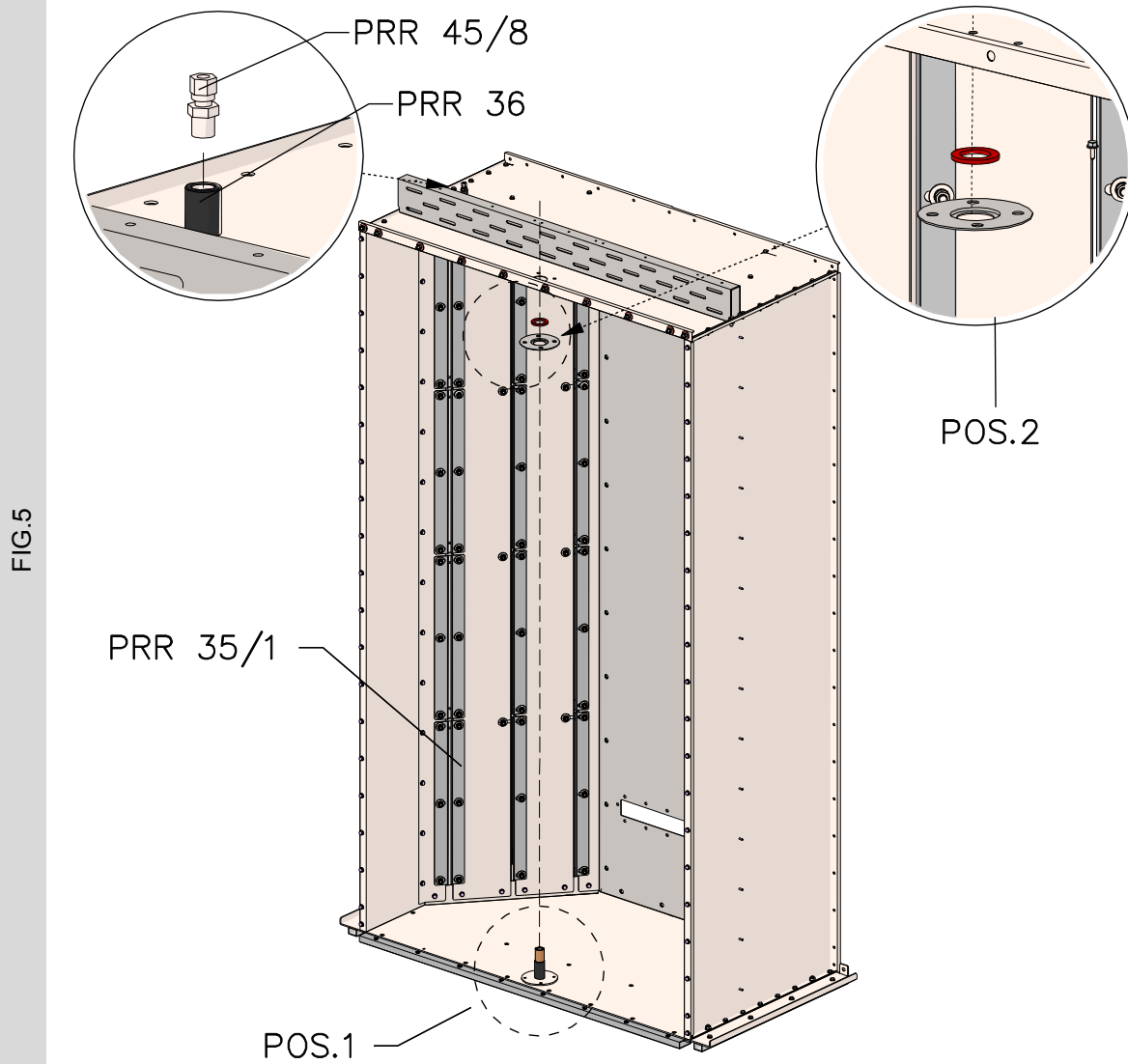
Water inlet unit

PRR 31/5



code	
PRR 6/1	SOLENOID VALVE COIL
PRR 20/1	CONNECTOR FOR WATER VALVE
PRR 57	WATER INLET SHUTTER
PRR 26	WATER SOLENOID VALVE FILTER
PRR 21/1	WATER SOLENOID VALVE (ONLY VALVE)
PRR 22	WATER SOLENOID VALVE - COMPLETE

Center section

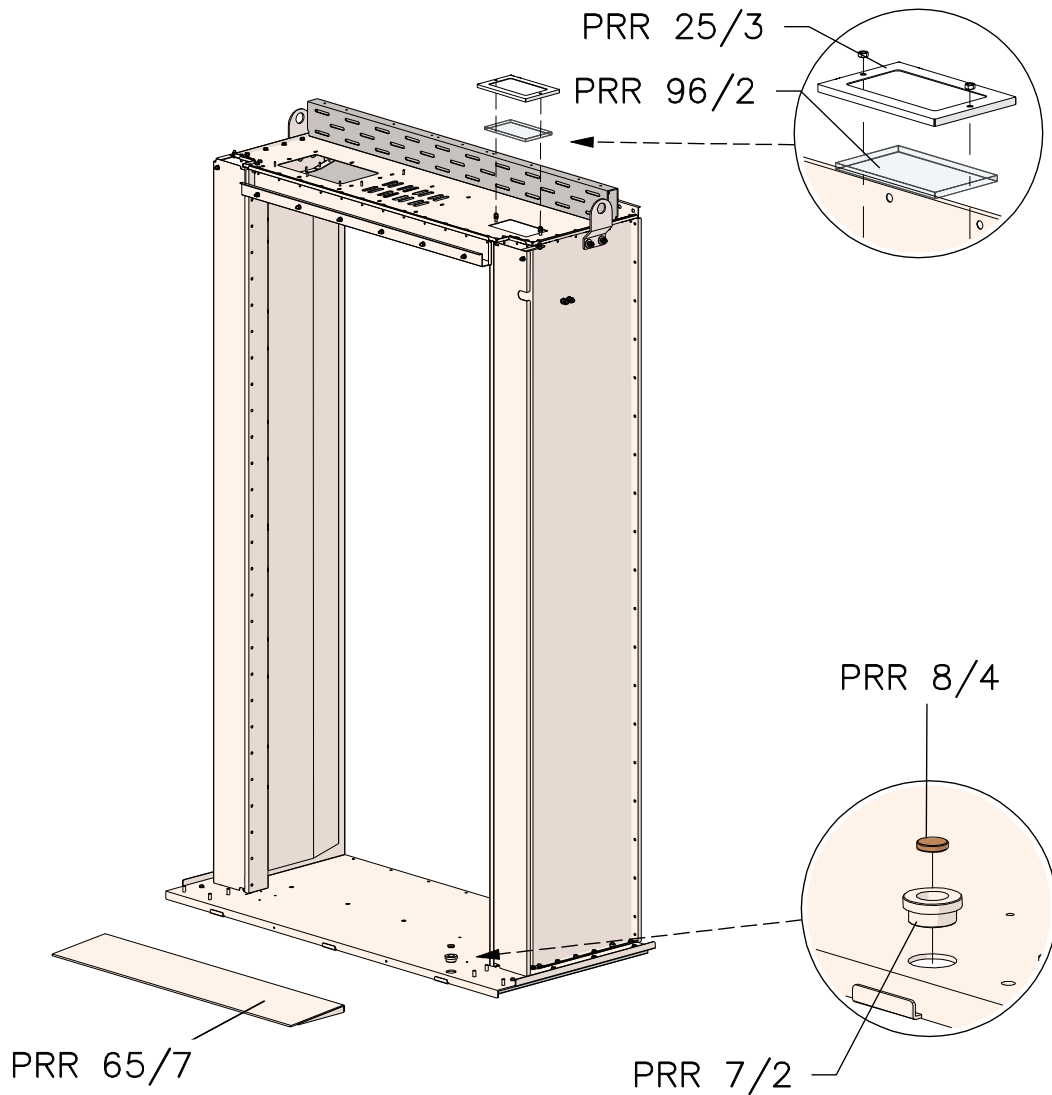


code

<b>PRR 45/8</b>	CABLE CLAMP
<b>PRR 36</b>	SLEEVE FOR FEELER HOLDER
<b>PRR 35/1</b>	AIR FLOW ADJUSTING SLOT
<b>POS.1</b>	SEE ANNEX "D"
<b>POS.2</b>	SEE ANNEX "D"

Front section

FIG.6

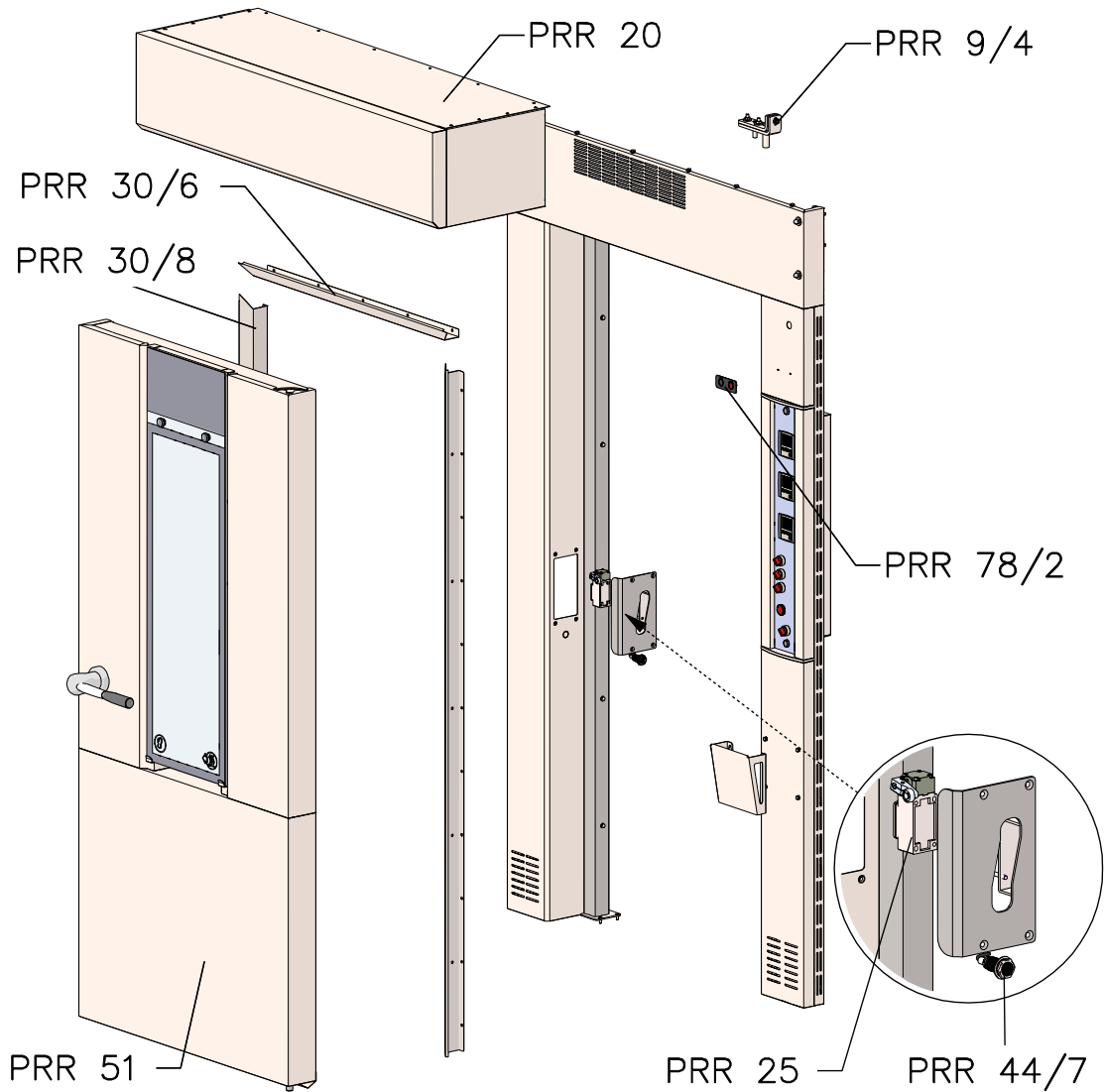


code

<b>PRR 65/7</b>	RAMP FOR RACK ENTRY
<b>PRR 8/4</b>	BRASS BUSHING FOR UNDERDOOR
<b>PRR 7/2</b>	STEEL BUSHING FOR DOOR
<b>PRR 25/3</b>	FLANGE FOR LAMP GLASS
<b>PRR 96/2</b>	LIGHT GLASS

Front

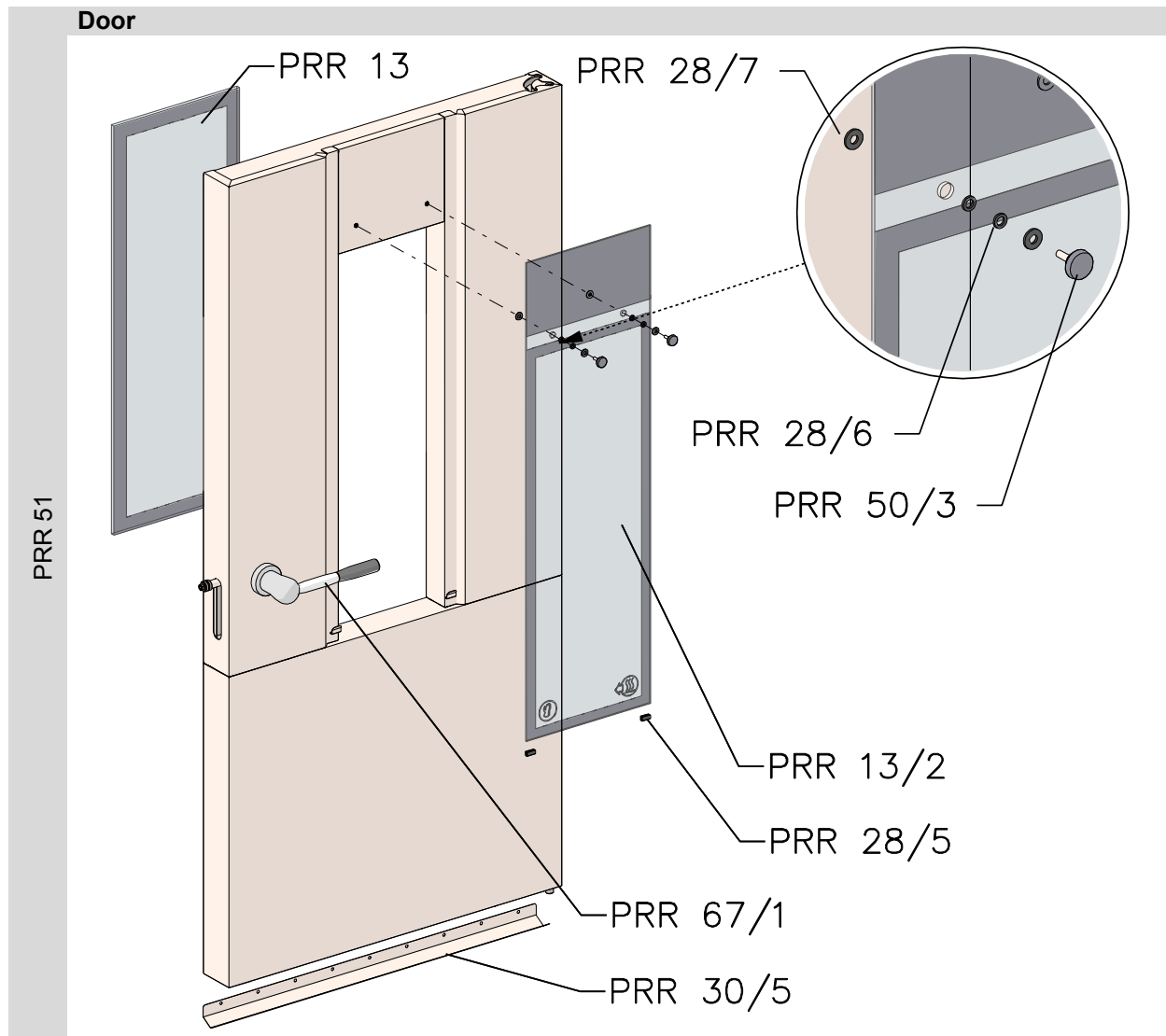
FIG.7



code

<b>PRR 51</b>	DOOR FOR ROTATIVE OVEN
<b>PRR 30/8</b>	DOOR GASKET "LATERAL" - STAINLESS STEEL
<b>PRR 30/6</b>	DOOR GASKET "UPPER" - STAINLESS STEEL
<b>PRR 78/2</b>	PLATE "OPEN-CLOSED"
<b>PRR 9/4</b>	UPPER DOOR HINGES
<b>PRR 25</b>	LIMIT SWITCH
<b>PRR 44/7</b>	PROXIMITY
<b>PRR 20</b>	HOOD FOR ROTATIVE OVEN



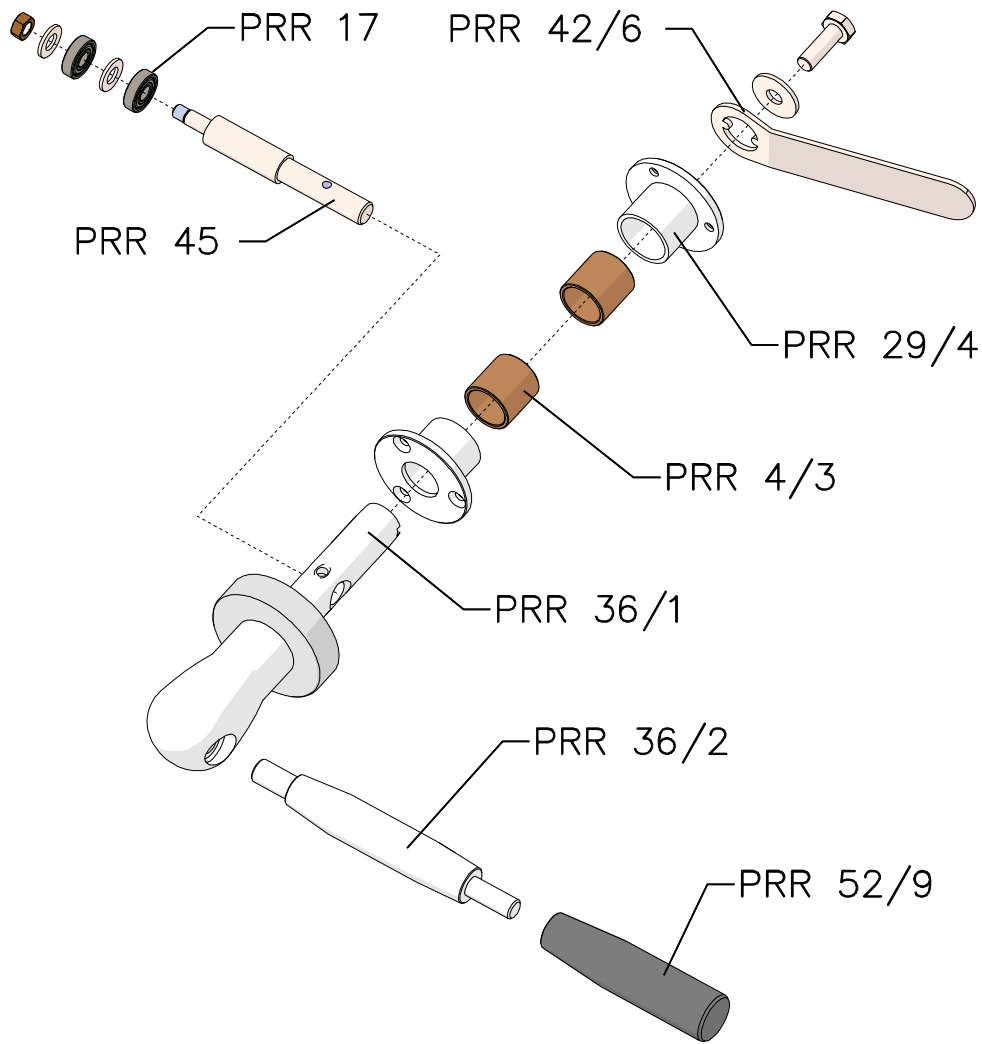


code

<b>PRR 67/1</b>	DOOR LOCK
<b>PRR 13</b>	DOOR GLASS - INTERNAL - FOR DOOR WITH SHORT WINDOW
<b>PRR 13/2</b>	DOOR GLASS - EXTERNAL - FOR OVEN WITH SHORT WINDOW
<b>PRR 30/5</b>	DOOR GASKET "BOTTOM" - STAINLESS STEEL
<b>PRR 50/3</b>	SCREW WITH BLACK KNOB
<b>PRR 28/5</b>	LOWER GLASS SUPPPORT GASKET
<b>PRR 28/6</b>	GLASS FIXING LITTLE ROUND GASKET
<b>PRR 28/7</b>	GLASS FIXING LARGE ROUND GASKET

Lock for door

PRR 67/1



code

<b>PRR 17</b>	BEARING FOR DOOR LOCK
<b>PRR 45</b>	PIN FOR DOOR HANDLE
<b>PRR 52/9</b>	DOOR HANDLE, BLACK BAKELITE HILT
<b>PRR 36/2</b>	DOOR HANDLE - HILT IN CHROMIUM-IRON
<b>PRR 36/1</b>	DOOR HANDLE - CENTRAL PART WITH PIVOT
<b>PRR 4/3</b>	BUSHING FOR DOOR HANDLE
<b>PRR 29/4</b>	RING NUT FOR DOOR HANDLE SUPPORT
<b>PRR 42/6</b>	INTERNAL DOOR HANDLE